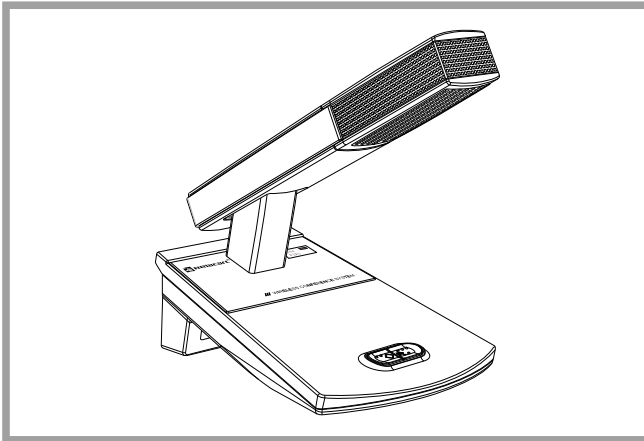


WDC-923C/D

PROFESSIONAL GOOSENECK MICROPHONE



01 Features

- It is powered by a detachable lithium battery, which can be charged using the WDC-923 special charging case, or directly using the USB interface of the conference unit.
- The microphone unit can be set to manual or automatic power-on mode.
- It can work continuously (speaking state) for 23 hours under full power and 48 hours of standby (mute state). When the battery is fully charged, it can work for 90 days when the microphone function is turned off automatically.
- Bright OLED display which can simultaneously display battery capacity, speaking mode, time limit, etc.
- Strong anti interference of cell phone.
- With working indicator.
- Use high-quality condenser capsule to achieve high-quality sound pickup.

02 Specification

Microphone Type: Condenser

Carrier Frequency Band: 522~618MHz

Oscillation Mode: PLL frequency synthesis technology

Harmonic Radiation: 45dBm below the main wave

Sensitivity: -38dB/1KHz at 1Pa

BandWidth: 134MHz

Maximum Offset: ± 45KHz

RF Output Power: 30mW

Power Supply: Li-ion polymer rechargeable battery, 3.7V / 2900mAh

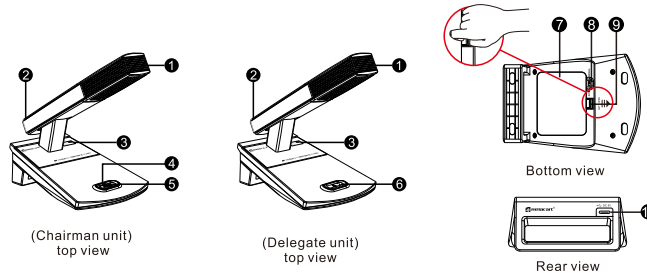
Current Consumption: 120mA (typical) 60mA (standby mute)

Working Time: 23 hours (typical) 48 hours (standby mute)

Dimensions(mm): 162 (L) x 125 (W) x 54 (H)

Weight: 910g

03 Microphone unit function introduction



- 1 Cardioid directional: High-quality condenser microphone provides clear and full sound quality, high sensitivity, and good long-distance pickup effect.
- 2 Working status indicator: Red light when muted, green light when speaking, the light flashes when waiting for the application, and it will flash when the battery is dead.
- 3 OLED display: display the working status of the microphone, including conference mode, speaking status, battery indication, ID address, speaking channel light information.
- 4 Chairman unit priority button: Allow the chairman unit to close the delegate unit that is speaking. When applying for the speaking mode, the chairman unit can use this button to disapprove the delegate unit for the application to speak.
- 5 Chairman unit speech button:
 - a. When mute, press the button microphone to speak, and then press the button microphone to mute.
 - b. When turned off, press and hold for 1 second to turn on the microphone; when turned on, press and hold for 3 seconds to turn off the microphone.
 - c. In the case of shutdown, press and hold for 3 seconds to enter the "ID pairing" state.
- 6 Delegate unit speech button:
 - a. When mute, press the button microphone to speak, and then press the button microphone to mute.
 - b. When turned off, press and hold for 1 second to turn on the microphone; when turned on, press and hold for 3 seconds to turn off the microphone.
 - c. In the case of shutdown, press and hold for 3 seconds to enter the "ID pairing" state.

Braille logo: Braille text, which is convenient for people who have congenital defects or damage to the eyes to make them invisible.

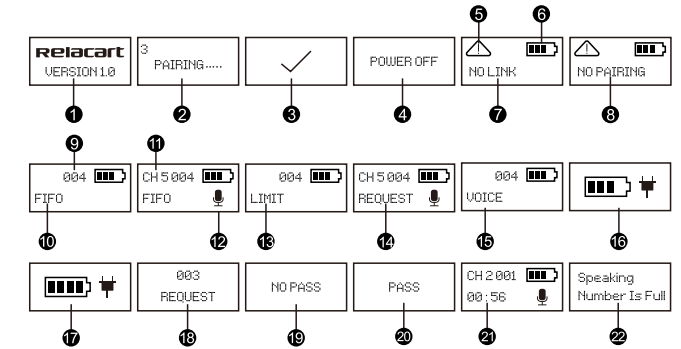
- 7 Removable lithium battery box: It provides power for the microphone unit, rated capacity 2900mAh, rated voltage: 3.7V.
- 8 Manual / automatic switch:
 - a. When the switch is set to "AUTO", the microphone unit is switched to the automatic power-on mode. When the microphone unit is turned off, as long as it receives the power-on signal from the main controller, the microphone unit will automatically power on.
 - b. When the switch is set to "MANUAL", the microphone unit is switched to the manual power-on mode. The microphone unit cannot receive the power-on signal transmitted by the main controller, and the microphone unit needs to be turned on manually.

(Note: In the case of shutting down and removing the battery box, when you switch the switch from "MANUAL" to "AUTO", you need to manually turn on the microphone unit once and then turn it off before the microphone unit can start the automatic power-on mode.)

- 9 Battery sliding shutter.

(Note: Follow the arrow direction indicated by the battery door, you can install or remove the battery by turning the battery door.)
- 10 TYPE-C charging port: It can charge the lithium battery of the microphone unit, the charging rated voltage is 5V, and the charging rated current is 800mA.

04 Microphone unit display overview



- 1 RELACART Logo and software version information.
- 2 ID pairing interface, indicating that the microphone unit is performing ID pairing operation with the main controller.
- 3 Display interface after ID pairing is successful.
- 4 Shutdown display interface.
- 5 Indicates that the microphone unit and the main controller key have not established communication or have malfunctioned.
- 6 Battery level display.
- 7 "OFF LINK" indicates that the microphone unit and the main controller key have not established communication.
- 8 "NO PAIRING" indicates that the microphone unit has not yet been ID-paired with the main controller.
- 9 Microphone unit ID.
- 10 "FIFO" stands for FIFO mode.
- 11 Indicates that the microphone unit occupies the main controller's RF channel.
- 12 Indicates that the microphone is speaking.
- 13 "LIMIT" stands for time-limited speaking mode.
- 14 "REQUEST" means request to speak mode.
- 15 "VOICE" means voice activation mode.
- 16 Indicates that the battery is charging.
- 17 The battery is fully charged.
- 18 When the delegate unit requests to speak, the interface displayed by the chairman unit will flash "REQUEST" and "003".
- 19 The delegate unit ID of the application.

In the application mode, the chairman unit does not apply to speak through the delegate unit.
- 20 In the application mode, the chairman unit requests to speak through the delegate unit.
- 21 In the time limit mode, the time limit displayed when the delegate unit speaks.
- 22 Indicates that the speaking unit has exceeded the maximum number of speakers.